



 **PORTAGANTRY**[®]

This product is patented

US.REIDLIFTING.COM

Our top quality and highly durable **PORTAGANTRY®** is lightweight and extremely strong. This portable system can be easily manually assembled and can safely lift up to 11000lb, making it ideal for multiple applications.

> Key features

- > OSHA compliant
- > ANSI Z359.18-17 compliant for fall protection applications
- > Can support goods and personnel lifting;
 - > Goods lifting capacity of up to 11000lb
 - > Personnel lifting capacity of up to 5500lb
- > Approved for up to 3 persons for fall protection applications
- > Beams and A-frames can be interchanged
- > Ergonomic 360° swivel-locking castors, as standard
- > Ease of assembly including height and span adjustment
- > Anodized for increased corrosion resistance
- > Engineered designs and tailor-made sections reduce weight, providing lightweight portability

> Configurations

The **PORTAGANTRY®** is available in a range of configurations and can be customized in line with specific requirements (subject to capacity rating).

The **PORTAGANTRY®** has the ability to be moved under load. (Subject to detailed instruction and supervision by a competent person).



**11000LB
CAPACITY**



**1-4 PERSON
ASSEMBLY**



**198-648LB
FLAT PACK**



**ANSI
Z359.18-17
COMPLIANT**



**ATEX
CERTIFIED**

> Features & Performance

	Capacity [lb]		
	4400	6600	11000
Accreditations, Certifications & Standards			
OSHA Compliant	✓	✓	✓
ANSI Z359.18-17	✓	✓	✓
Capacity			
Maximum Goods Lifting [lb]	4400	6600	11000
Maximum Personnel Lifting [lb]	2200	3300	5500
Fall Arrest [Persons]	2	2	3
Dimensions			
Minimum Height Under Beam	5' 3¼"	9' 5¼"	9' 4¼"
Maximum Height Under Beam	19' 1½"	13' 4½"	13' 3½"
Minimum Span	5' 2¼"	5' 2¼"	11' ¾"
Maximum Span	24' 6½"	24' 6½"	15' ¼"
Trolley Options			
Master link	✓	✓	✓
Gated	✓	✓	✓
Close Coupled	✓	✓	×
Gear Driven	✓	×	×
Integrated Hoist	✓	×	×
Standard Features			
Gear Height Adjustment	×	×	×
Ratchet Height Adjustment	×	×	✓
Mechanical Aid Assembly	×	×	✓
Optional Extras			
Lobed Cheek Plates	✓	✓	✓
Winch Upgrade	✓	✓	✓
Wind Up Jack legs	✓	✓	✓
Trolley Rope Control System	✓	✓	✓
Festoon System	✓	✓	✓
Ratchet Height Adjustment	✓	✓	✓
Directional Lock Castors	✓	✓	✓
Finishes			
Anodized	✓	✓	✓
316SS Fixings	Optional	Optional	Optional
Marine Spec	Optional	Optional	×

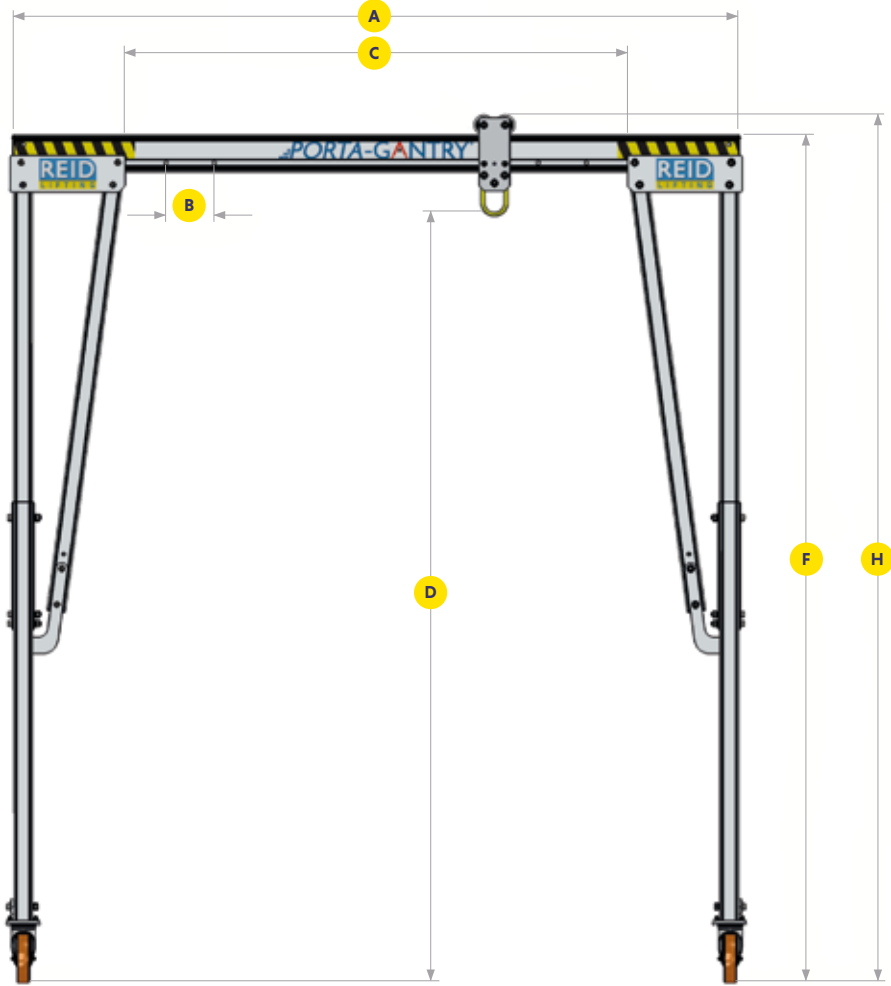
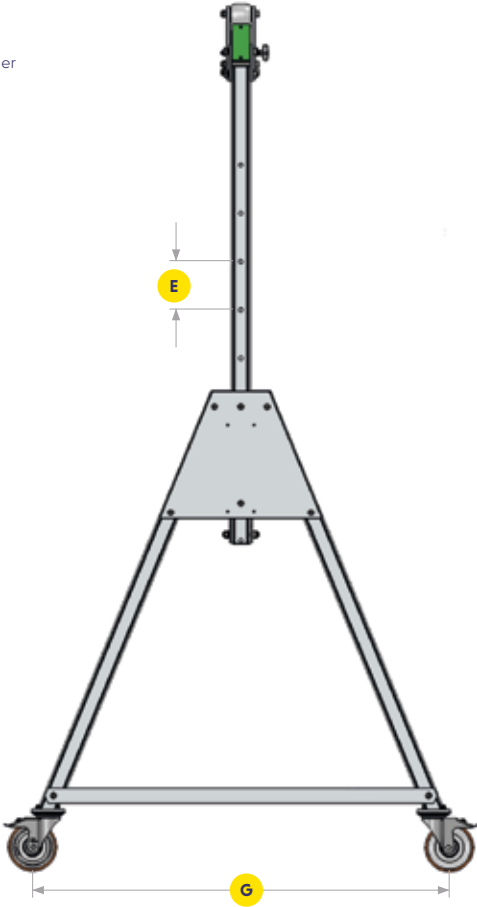
Dimensions in the table are approximate values. For more accurate details please refer to the Dimension Table.

All line items marked with a '✓' come as standard. All line items marked with a 'X' are not available.

All line items marked with 'optional' are available as an option and may incur additional costs.

PORTAGANTRY®

- A Beam length
- B Beam adjustment
- C Clear operating span
- D Height to lifting eye
- E Height increment
- F Height to top of beam
- G Width
- H Height to top of roller



		Product Code	A Beam Length	B Beam Adjustment	C Clear Operating Span	Dmax Max height to lifting eye	Dmin Min height to lifting eye	E Height increment	F Max height to top of beam	G Width	Hmax Max height to top of roller	Hmin Min height to top of roller	Fall Arrest Capacity** No. of Person(s)	Personnel Lifting [lb]	Castor Diameter	Beam Profile	Weight [lb]	
Capacity [lb]	4400	Small	US-PGSS04400S-8A	8' 2½"	4 x 8"	5' 2¼"	7' 8¾"	5' 2¾"	5 x 6"	8' 9¼"	3' 11¾"	9' ½"	6' 7"	2	2200	6"	6" x 3"	196
			US-PGSS04400S-10A	9' 10"	4 x 8"	6' 9¾"	7' 8¾"	5' 2¾"	5 x 6"	8' 9¼"	3' 11¾"	9' ½"	6' 7"	2	2200	6"	6" x 3"	203
			US-PGSS04400S-13A	12' 10¼"	6 x 8"	9' 10"	7' 8¾"	5' 2¾"	5 x 6"	8' 9¼"	3' 11¾"	9' ½"	6' 7"	2	2200	6"	6" x 3"	218
			US-PGSS04400S-15A	15'	8 x 8"	11' 11¾"	7' 8¾"	5' 2¾"	5 x 6"	8' 9¼"	3' 11¾"	9' ½"	6' 7"	2	2200	6"	6" x 3"	229
			US-PGSS04400S-18B	18' ½"	8 x 8"	15' ¼"	7' 8¾"	5' 2¾"	5 x 6"	8' 9¼"	3' 11¾"	9' ½"	6' 7"	2	2200	6"	6" x 3"	269
			US-PGSS04400S-27D	27' 6¾"	8 x 8"	24' 6½"	7' 6¾"	5' 1¼"	5 x 6"	9' 1"	3' 11¾"	9' 6"	7' 1"	2	2200	6"	10" x 3"	441
	Intermediate	US-PGSS04400I-8A	8' 2½"	4 x 8"	5' 2¼"	10' 5"	7' 1¾"	5 x 8"	11' 5¾"	5' 8"	11' 9"	8' 5½"	2	2200	8"	6" x 3"	262	
		US-PGSS04400I-10A	9' 10"	4 x 8"	6' 9¾"	10' 5"	7' 1¾"	5 x 8"	11' 5¾"	5' 8"	11' 9"	8' 5½"	2	2200	8"	6" x 3"	269	
		US-PGSS04400I-13A	12' 10¼"	6 x 8"	9' 10"	10' 5"	7' 1¾"	5 x 8"	11' 5¾"	5' 8"	11' 9"	8' 5½"	2	2200	8"	6" x 3"	284	
		US-PGSS04400I-15A	15'	8 x 8"	11' 11¾"	10' 5"	7' 1¾"	5 x 8"	11' 5¾"	5' 8"	11' 9"	8' 5½"	2	2200	8"	6" x 3"	295	
		US-PGSS04400I-18B	18' ½"	8 x 8"	15' ¼"	10' 5"	7' 1¾"	5 x 8"	11' 5¾"	5' 8"	11' 9"	8' 5½"	2	2200	8"	6" x 3"	335	
		US-PGSS04400I-27D	27' 6¾"	8 x 8"	24' 6½"	10' 3½"	7' ¼"	5 x 8"	11' 9¾"	5' 8"	12' 2¾"	8' 5½"	2	2200	8"	10" x 3"	507	
	Tail	US-PGSS04400T-8A	8' 2½"	4 x 8"	5' 2¼"	13' 4"	9' 4¾"	6 x 8"	14' 5¼"	6' 7¼"	14' 8½"	10' 9¼"	2	2200	8"	6" x 3"	289	
		US-PGSS04400T-10A	9' 10"	4 x 8"	6' 9¾"	13' 4"	9' 4¾"	6 x 8"	14' 5¼"	6' 7¼"	14' 8½"	10' 9¼"	2	2200	8"	6" x 3"	295	
		US-PGSS04400T-13A	12' 10¼"	6 x 8"	9' 10"	13' 4"	9' 4¾"	6 x 8"	14' 5¼"	6' 7¼"	14' 8½"	10' 9¼"	2	2200	8"	6" x 3"	311	
		US-PGSS04400T-15A	15'	8 x 8"	11' 11¾"	13' 4"	9' 4¾"	6 x 8"	14' 5¼"	6' 7¼"	14' 8½"	10' 9¼"	2	2200	8"	6" x 3"	322	
		US-PGSS04400T-18B	18' ½"	8 x 8"	15' ¼"	13' 4"	9' 4¾"	6 x 8"	14' 5¼"	6' 7¼"	14' 8½"	10' 9¼"	2	2200	8"	6" x 3"	362	
		US-PGSS04400T-27D	27' 6¾"	8 x 8"	24' 6½"	13' 3"	9' 3¾"	6 x 8"	14' 8¾"	6' 7¼"	15' 1¾"	11' 2½"	2	2200	8"	10" x 3"	534	
	Extra Tail	US-PGSS04400TC1-13A	12' 10¼"	6 x 8"	9' 10"	19' 1"	13' 2"	9 x 8"	20' 2"	8' 11½"	20' 5¼"	14' 6½"	2	2200	8"	6" x 3"	512	
		US-PGSS04400TC1-15A	15'	8 x 8"	11' 11¾"	19' 1"	13' 2"	9 x 8"	20' 2"	8' 11½"	20' 5¼"	14' 6½"	2	2200	8"	6" x 3"	523	
		US-PGSS04400TC1-18B	18' ½"	8 x 8"	15' ¼"	19' 1"	13' 2"	9 x 8"	20' 2"	8' 11½"	20' 5¼"	14' 6½"	2	2200	8"	6" x 3"	562	
		US-PGSS04400TC1-27D	27' 6¾"	8 x 8"	24' 6½"	18' 11½"	13' ½"	9 x 8"	20' 5¼"	8' 11½"	20' 10¾"	15'	2	2200	8"	10" x 3"	734	
	6600	Tail	US-PGSS06600T-8A	8' 2½"	4 x 8"	5' 2¼"	13' 4"	9' 4¾"	6 x 8"	14' 5¼"	6' 7¼"	14' 8½"	10' 9¼"	2	3300	8"	6" x 3"	416
			US-PGSS06600T-10A	9' 10"	4 x 8"	6' 9¾"	13' 4"	9' 4¾"	6 x 8"	14' 5¼"	6' 7¼"	14' 8½"	10' 9¼"	2	3300	8"	6" x 3"	422
US-PGSS06600T-13B			12' 10¼"	6 x 8"	9' 10"	13' 4"	9' 4¾"	6 x 8"	14' 5¼"	6' 7¼"	14' 8½"	10' 9¼"	3	3300	8"	6" x 3"	455	
US-PGSS06600T-15B			15'	8 x 8"	11' 11¾"	13' 4"	9' 4¾"	6 x 8"	14' 5¼"	6' 7¼"	14' 8½"	10' 9¼"	3	3300	8"	6" x 3"	469	
US-PGSS06600T-18D			18' ½"	8 x 8"	15' ¼"	13' 3"	9' 3¾"	6 x 8"	14' 8¾"	6' 7¼"	15' 1½"	11' 2¼"	3	3300	8"	10" x 3"	561	
US-PGSS06600T-27D			27' 6¾"	8 x 8"	24' 6½"	13' 3"	9' 3¾"	6 x 8"	14' 8¾"	6' 7¼"	15' 1½"	11' 2¼"	3	3300	8"	10" x 3"	660	
11000	Tail	US-PGSS11000T-15D	15'	8 x 8"	11' 11¾"	13' 3½"	9' 4¾"	6 x 8"	14' 8¾"	6' 7½"	15' 1½"	11' 2¼"	3	5500	8"	10" x 3"	659	
		US-PGSS11000T-18D	18' ½"	8 x 8"	15' ¼"	13' 3½"	9' 4¾"	6 x 8"	14' 8¾"	6' 7½"	15' 1½"	11' 2¼"	3	5500	8"	10" x 3"	690	

**Ratings using ANSI standards. Contact REID for other standards.

All information herein is copyright protected by REID Lifting Ltd. All company and product names are Trade Mark and Trade Name protected and all REID Product IPR is protected under Patents, Patents Pending and/or Design Rights.

 Printed using environment friendly processes and materials.

REID Lifting Inc
 7900 International Drive,
 Suite 300,
 Bloomington,
 MN 55425

 +1-(888)-721-6411
 info@reidlifting.com
 us.reidlifting.com