



 **PORTAGANTRY** RAPIDE[®]

This product is patented

US.REIDLIFTING.COM

Our unique and innovative **PORTAGANTRY^{RAPIDE}** is a height adjustable, foldable aluminum gantry designed for rapid deployment. Capable of an impressive load lifting capacity of up to 2200lb.

This system can be assembled and disassembled by just one person within a minute without the need for any tools. This system is the perfect solution for Confined Space Access scenarios due to its unique features and ability to lift equipment and personnel.

Key features

- OSHA compliant
- ANSI Z359.18-17 compliant for fall protection applications
- Can support goods and personnel lifting;
 - Goods lifting capacity of up to 2200lb
 - Personnel lifting capacity of up to 1100lb
- Approved for up to 2 persons for fall protection applications
- Integrated wheel design that folds with the frame for ease of transportation
- Available in 3 height-adjustable versions (up to 9.5ft lifting eye height)
- Can accommodate a range of beam lengths up to 13ft
- Anodized for increased corrosion resistance
- Engineered designs and tailor-made sections reduce weight, providing lightweight portability

Configurations

The **PORTAGANTRY^{RAPIDE}** is available in a range of configurations and can be customized in line with specific requirements (subject to capacity rating).



**550-2200LB
CAPACITY**



**1-2 PERSON
ASSEMBLY**



**81-151LB
COMPACT
STORAGE**



**ANSI
Z359.18-17
COMPLIANT**



**ATEX
CERTIFIED**

Features & Performance

	Capacity [lb]	
	1100	2200
Accreditations, Certifications & Standards		
OSHA Compliant	✓	✓
ANSI Z359.18-17	✓	✓
Capacity		
Maximum Goods Lifting [lb]	1100	2200
Maximum Personnel Lifting [lb]	550	1100
Fall Arrest [Persons]	1	2*
Dimensions		
Minimum Height Under Beam	4' 9"	4' 8"
Maximum Height Under Beam	9' 7"	9' 5"
Beam Options		
Beam Span 6' 7"	✓	✓
Beam Span 7' 7"	✓	✗
Beam Span 9' 10"	✗	✓
Beam Span 13' 1"	✗	✓
Trolley Options		
Master Link	✓	✓
Close Coupled	✓	✓
Sheave Carrier	✓	✓
Standard Features		
Winch Capable	✓	✓
Foot Adjustment [4"]	✓	✓
Foldable	✓	✓
Transport Wheel	✓	✓
Assembly < 60sec	✓	✓
Finishes		
Anodized	✓	✓
Marine Spec	Optional	Optional

*See dimensions table for further details.

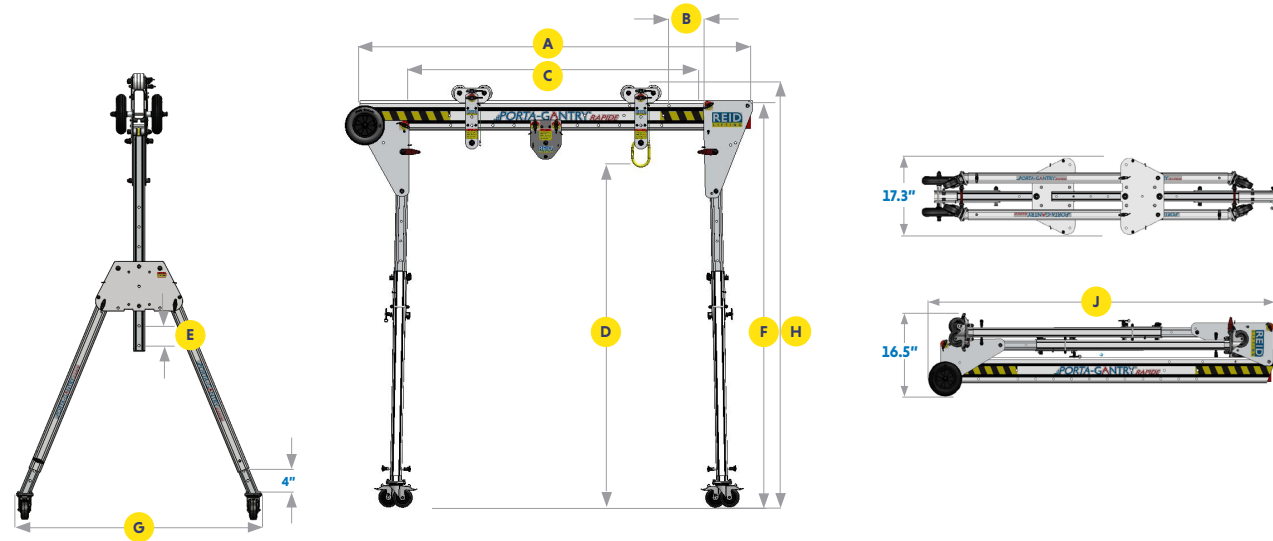
Dimensions in the table are approximate values. For more accurate details please refer to the Dimension Table.

All line items marked with a '✓' come as standard. All line items marked with a '✗' are not available.

All line items marked with 'optional' are available as an option and may incur additional costs.

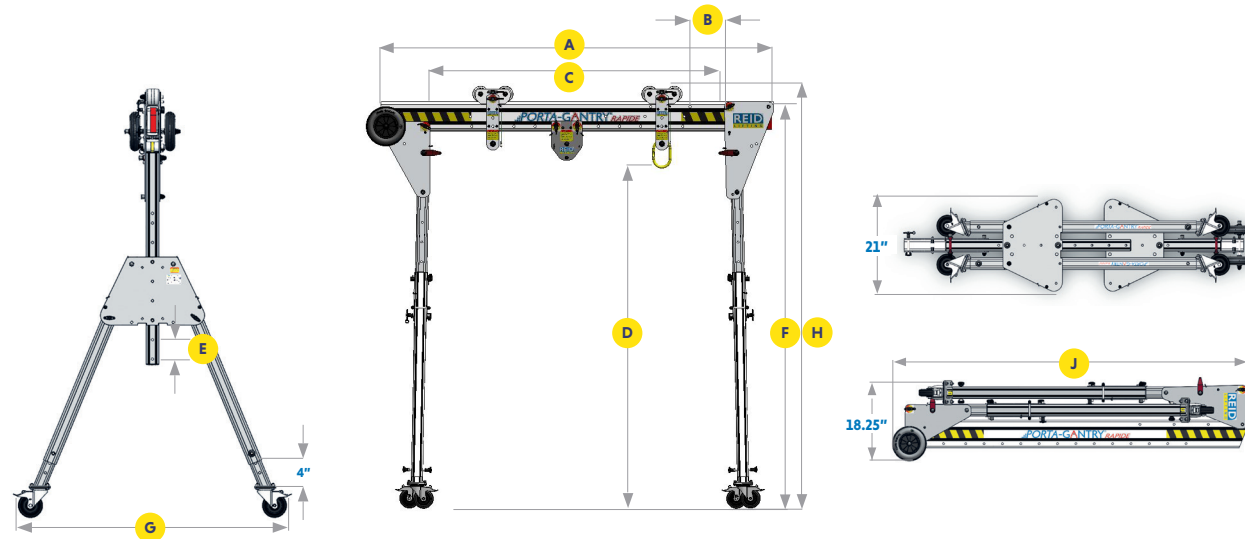
PORTAGANTRY® RAPIDE®

- A** Beam length
- B** Beam adjustment
- C** Clear operating span
- D** Height to lifting eye
- E** Height increment
- F** Height to top of beam
- G** Width
- H** Height to top of roller
- J** Folded dimensions



PORTAGANTRY® RAPIDE 1T

- A** Beam length
- B** Beam adjustment
- C** Clear operating span
- D** Height to lifting eye
- E** Height increment
- F** Height to top of beam
- G** Width
- H** Height to top of roller
- J** Folded dimensions



Product Code	Dimensions												Capacity			Unit Weight		
	A Beam Length	B	CMin	CMax	DMin	DMax	E	FMin	FMax	G	HMin	HMax	J	Goods Capacity [lb]	Fall Arrest Capacity** No. of Person(s)	Personnel Positioning** [lb]	[lb]	
PGR	US-PGRS20J	6' 6¾"	2x8"	3' 7¼"	4' 11"	4' 8¾"	6' 8½"	6x4"	5' 10"	7' 9½"	4' ¾"	6' 1¼"	8' ¾"	6' 10"	1100	1	550	81
	US-PGRS23J	7' 6½"	3 x 8"	3' 11¼"	5' 10¾"									7' 9¾"	880	1	440	83
	US-PGRM20J	6' 6¾"	2x8"	3' 7¼"	4' 11"	4' 9"	7' ½"	7x4"	5' 10"	8' 1¾"	4' 3"	6' 1¼"	8' 5"	6' 10"	880	1	440	82
	US-PGRM23J	7' 6½"	3 x 8"	3' 11¼"	5' 10¾"									7' 9¾"				84

PGRIT	US-PGR1TS20	6' 6¾"	2x8"	3' 7½"	4' 11¼"	4' 8"	6' 3¾"	5x4"	5' 11¾"	7' 7½"	4' 2"	6' 3"	7' 10¾"	6' 9¾"	2200	2	1100	113							
	US-PGR1TS30	9' 10"	3 x 8"	6' 2½"	8' 2½"									10' 1¼"				2	124						
	US-PGR1TS40	13' 1½"	3 x 8"	9' 6¼"	11' 5¾"									13' 4½"				1	134						
	US-PGR1TM20	6' 6¾"	2x8"	3' 7½"	4' 11¼"	5' 8¼"	7' 11¾"	7x4"	6' 9¼"	9' ¾"	4' 10½"	7' ½"	9' 4"	7' 2½"				2200	2	1100	122				
	US-PGR1TM30	9' 10"	3 x 8"	6' 2½"	8' 2½"									10' 1¼"							2	132			
	US-PGR1TM40	13' 1¾"	3 x 8"	9' 6¼"	11' 5¾"									13' 4½"							1	142			
	US-PGR1T20*	6' 6¾"	2x8"	2' 2½"	3' 6"	6' 5¾"	9' 5¾"	9x4"	7' 6½"	10' 6"	5' 6¾"	7' 9¾"	10' 9¾"	9' 3½"							2200	1	1100	130	
	US-PGR1T30*	9' 10"	3 x 8"	4' 9¾"	6' 9¾"									10' 1¼"										1	141
	US-PGR1T40*	13' 1½"	3 x 8"	8' 1¼"	10' ¾"									13' 4½"										1	151



*Trolley stops fitted to beam **Ratings using ANSI standards. Contact REID for other standards.

All information herein is copyright protected by REID Lifting Ltd. All company and product names are Trade Mark and Trade Name protected and all REID Product IPR is protected under Patents, Patents Pending and/or Design Rights.

 Printed using environment friendly processes and materials.

REID Lifting Inc

7900 International Drive,
Suite 300,
Bloomington,
MN 55425

 +1-(888)-721-6411
 info@reidlifting.com
 us.reidlifting.com