



> REID Bracket Matrix

For Personnel winches & SRL devices



REID Bracket Matrix

The following document is a guide to assist with product selection to ensure that you are able to select the correct product and code when fitting a system with personnel winches and/or SRL devices.

Please note that the part codes in this document are given in relation to the brackets supplied by REID lifting and not the devices which they support. If you require more information about the devices themselves, please contact us at info@reidlifting.com.

More information and installations guides for each device and REID product can be found online at us.reidlifting.com.



Contents

4 Gantry Range

6 **PORTA**GANTRY **RAPIDE**

8 **PORTA**GANTRY Small and Medium

10 **PORTA**GANTRY

12 Davit Range

14 **T**DAVIT

16 **PORTA**DAVIT **QUANTUM** Single Winch

18 **PORTA**DAVIT **QUANTUM** Double Winch

20 **PORTX** DAVIT



Gantry Range

- 6 **PORTAGANTRY**^{RAPIDE}
- 8 **PORTAGANTRY** Small or Medium
- 10 **PORTAGANTRY**

		PORTAGANTRY <small>RAPIDE</small>	PORTAGANTRY Small and Medium	PORTAGANTRY Column
Supported Personnel Winches	Guardian Checkmate	US-RAWB001220	US-RAWB001220	US-RAWB001200
	IKAR PLW	US-RAWB004220	US-RAWB004225	US-RAWB004200
	MSA Workman	US-RAWB008220	US-RAWB008220	US-RAWB008000
	3M SALA Winch	US-RAWB003520	US-RAWB003522	US-RAWB003000
	3M DBI SALA Digital Winch	US-RAWB003520	US-RAWB003522	US-RAWB003000
	Tuffbuilt Pro Series 1	US-RAWB009220	US-RAWB009225	US-RAWB009200
	Tuffbuilt Pro Series 2	US-RAWB009320	US-RAWB009325	US-RAWB009300

Supported SRL Devices	Guardian FABXR	US-RAWB001020	US-RAWB001020	US-RAWB001000
	3M Rebel Protect A	US-RAWB003520	US-RAWB003522	US-RAWB003000
	3M SALA Sealed Block	US-RAWB003520	US-RAWB003522	US-RAWB003000
	3M Sala Ultra-Lok	US-RAWB003525	US-RAWB003520	US-RAWB003000
	Guardian 3-Way Rescue & Retrieval	US-RAWB007020	US-RAWB007020	US-RAWB007000
	Honeywell/Miller	US-RAWB007520	US-RAWB007520	US-RAWB007500
	MSA Rescuer	US-RAWB008020	US-RAWB008020	US-RAWB008000

PORTAGANTRY RAPIDE®



Supported Personnel Winch		
Figure A	Supported Device	Product Code
	Guardian Checkmate	US-RAWB001220
	IKAR PLW	US-RAWB004220
	MSA Workman	US-RAWB008220
	3M SALA Winch	US-RAWB003520
	3M DBI SALA Digital Winch	US-RAWB003520
	Tuffbuilt Pro Series 1	US-RAWB009220
	Tuffbuilt Pro Series 2	US-RAWB009320

Supported SRL Device		
Figure B	Supported Device	Product Code
	Guardian FABXR	US-RAWB001020
	3M Rebel Protect A	US-RAWB003520
	3M SALA Sealed Block	US-RAWB003520
	3M Sala Ultra-Lok	US-RAWB003525
	Guardian 3-Way Rescue & Retrieval	US-RAWB007020
	Honeywell/Miller	US-RAWB007520
	MSA Rescuer	US-RAWB008020

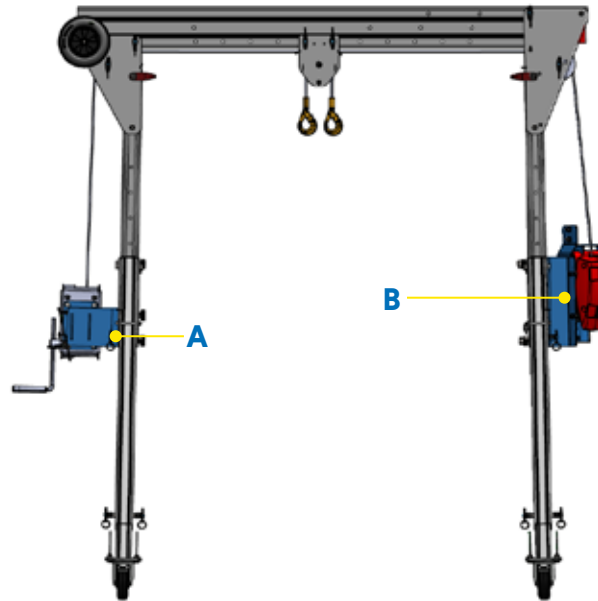
Winch-ready set up

The brackets on this page are for trap plate attachment set-ups with a PORTAGANTRY [RAPIDE].

You must ensure that your system is fitted with the necessary winch-ready attachments in order to use any winch or SRL device.

Winch-Ready Attachments	
PGR Universal Sheave kit	US-RAPGR00032
PGR Single Sheave carrier	US-PGTUR01100
PGR Double sheave carrier	US-PGTTR01100
PGR2200 Single sheave carrier	US-PGTUR02200
PGR2200 Double sheave carrier	US-PGTTR02200

Note: All sheave carriers are rated 250kg WLL for personnel lifting applications.



➤ PORTAGANTRY® Small or Medium



Supported Personnel Winch		
Figure A	Supported Device	Product Code
	Guardian Checkmate	US-RAWB001220
	IKAR PLW	US-RAWB004225
	MSA Workman	US-RAWB008220
	3M SALA Winch	US-RAWB003522
	3M DBI SALA Digital Winch	US-RAWB003522
	Tuffbuilt Pro Series 1	US-RAWB009225
	Tuffbuilt Pro Series 2	US-RAWB009325

Supported SRL Device		
Figure B	Supported Device	Product Code
	Guardian FABXR	US-RAWB001020
	3M Rebel Protect A	US-RAWB003522
	3M SALA Sealed Block	US-RAWB003522
	3M Sala Ultra-Lok	US-RAWB003520
	Guardian 3-Way Rescue & Retrieval	US-RAWB007020
	Honeywell/Miller	US-RAWB007520
	MSA Rescuer	US-RAWB008020

Winch-ready set up

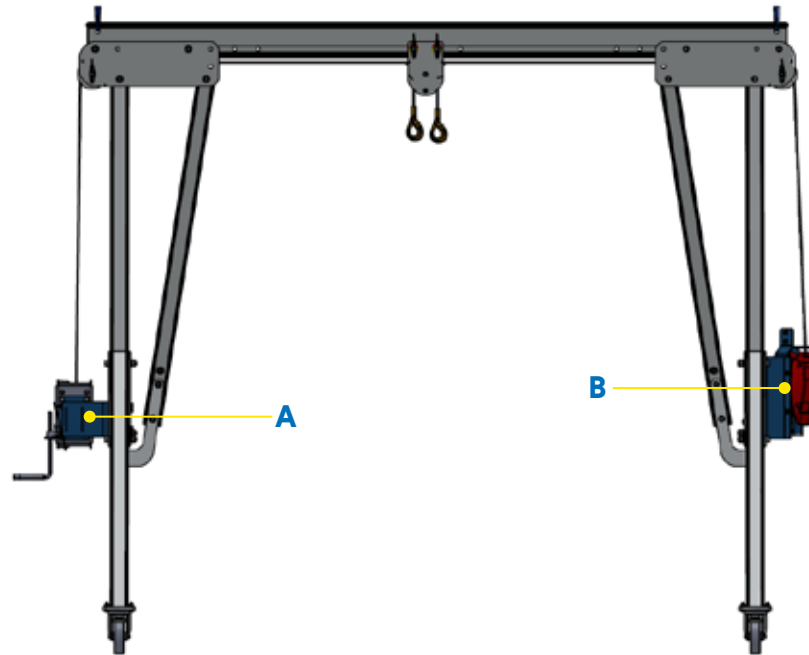
The brackets on this page are for trap plate attachment set-ups with a PORTAGANTRY.

All gantries must conform with one of the following set-ups when being used with any winch or SRL device

- > **Newly purchased** Gantry systems will require Winch ready A-Frames
- > **Upgrading existing** systems will need a Winch conversion kit per A-Frame.

Winch-Ready Attachments	
Winch ready A-Frame	US-SP100
Winch ready conversion kit	US-RAPG000077
PG Single Sheave carrier	US-PGTU01100
PG Double sheave carrier	US-PGTT01100

Note: All sheave carriers are rated 250kg WLL for personnel lifting applications.



PORTAGANTRY®



Supported Personnel Winch		
Figure A	Supported Device	Product Code
	Guardian Checkmate	US-RAWB001200
	IKAR PLW	US-RAWB004200
	MSA Workman	US-RAWB008000
	3M SALA Winch	US-RAWB003000
	3M DBI SALA Digital Winch	US-RAWB003000
	Tuffbuilt Pro Series 1	US-RAWB009200
	Tuffbuilt Pro Series 2	US-RAWB009300

Supported SRL Device		
Figure B	Supported Device	Product Code
	Guardian FABXR	US-RAWB001000
	3M Rebel Protect A	US-RAWB003000
	3M SALA Sealed Block	US-RAWB003000
	3M Sala Ultra-Lok	US-RAWB003000
	Guardian 3-Way Rescue & Retrieval	US-RAWB007000
	Honeywell/Miller	US-RAWB007500
	MSA Rescuer	US-RAWB008000

Winch-ready set up

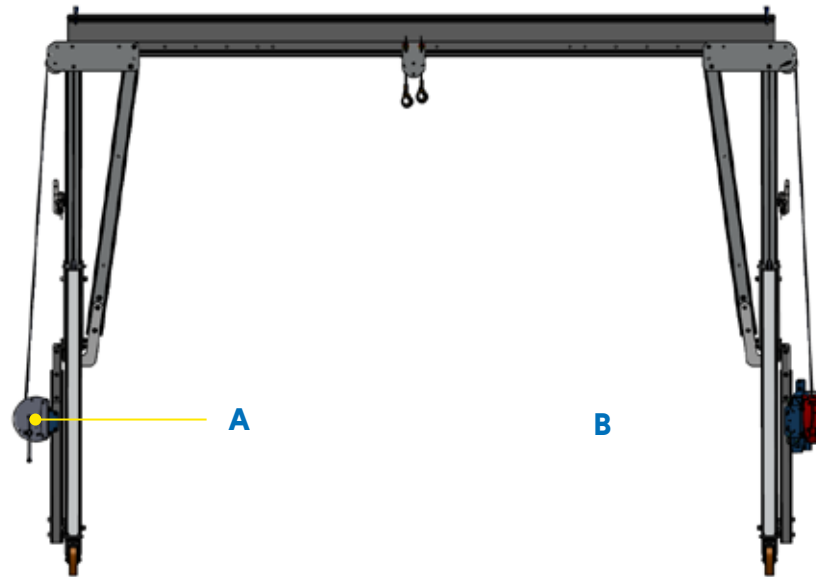
The brackets on this page are for column attachment set-ups with a **PORTA**GANTRY. Note that winch columns are supplied separately and specified to the size of the A-Frames.

All gantries must conform with one of the following set-ups when being used with any winch or SRL device

- **Newly purchased** Gantry systems will require Winch ready A-Frames
- **Upgrading existing** systems will need a Winch conversion kit per A-Frame.

Winch-Ready Attachments	
Winch Ready A-Frames	US-SP100
Winch ready conversion kit	US-RAPG000077
Winch Column - Intermediate	US-RAGC0001
Winch Column - Tall	US-RAGC0002
Winch Column - TC4	US-RAGC0003
Winch Column - TC3	US-RAGC0004
Winch Column - TC1 or TC2	US-RAGC0005
PG Single Sheave carrier	US-PGTU01100
PG Double sheave carrier	US-PGTT01100

Note: All sheave carriers are rated 250kg WLL for personnel lifting applications.



REID
LIFTING

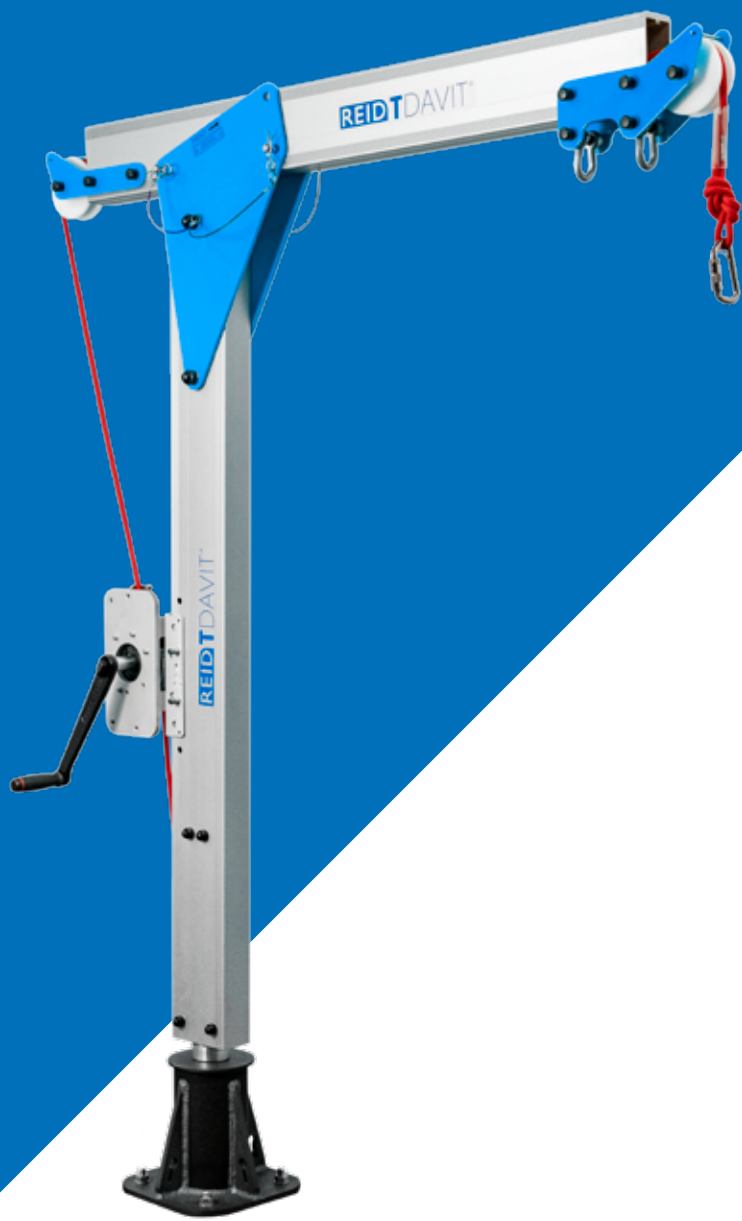
> Davit Range

- 14 TDAVIT®
- 16 PORTA DAVIT QUANTUM® Single Winch
- 18 PORTA DAVIT QUANTUM® Double Winch
- 20 PORTX® DAVIT

	TDAVIT®	PORTA DAVIT ^{QUANTUM} Column	PORTA DAVIT ^{QUANTUM} Single Winched Backstay	PORTA DAVIT ^{QUANTUM} Double Winched Backstay	PORTX® DAVIT	PORTX® DAVIT Double Winch	
Personnel Winches	Guardian Checkmate	US-RAWB001200	US-RAWB001200	US-RAWB001206	N/A	US-RAWB001200	US-RAWB001209
	IKAR PLW	US-RAWB004200	US-RAWB004200	US-RAWB004206	N/A	US-RAWB004200	US-RAWB004209
	MSA Workman	US-RAWB008000	US-RAWB008000	US-RAWB008006	N/A	US-RAWB008000	US-RAWB008000
	3M SALA Winch	US-RAWB003000	US-RAWB003000	US-RAWB003003	N/A	US-RAWB003000	US-RAWB003009
	3M DBI SALA Digital Winch	US-RAWB003000	US-RAWB003000	US-RAWB003003	N/A	US-RAWB003000	US-RAWB003009
	Tuffbuilt Pro Series 1	US-RAWB009200	US-RAWB009200	US-RAWB009206	N/A	US-RAWB009200	N/A
	Tuffbuilt Pro Series 2	US-RAWB009300	US-RAWB009300	US-RAWB009306	N/A	US-RAWB009300	N/A

SRL Devices	Guardian FABXR	US-RAWB001000	US-RAWB001000	US-RAWB001000	US-RAWB001010	US-RAWB001000	N/A
	3M Rebel Protect A	US-RAWB003000	US-RAWB003000	US-RAWB003006	US-RAWB003010	US-RAWB003000	N/A
	SALA Sealed Block	US-RAWB003000	US-RAWB003000	US-RAWB003006	US-RAWB003010	US-RAWB003000	N/A
	3M Sala Ultra-Lok	US-RAWB003000	US-RAWB003000	US-RAWB003006	US-RAWB003010	US-RAWB003000	N/A
	Guardian 3-Way Rescue & Retrieval	US-RAWB007000	US-RAWB007000	US-RAWB007000	US-RAWB007010	US-RAWB007000	N/A
	Honeywell/Miller	US-RAWB007500	US-RAWB007500	US-RAWB007500	US-RAWB007510	US-RAWB007500	N/A
	MSA Rescuer	US-RAWB008000	US-RAWB008000	US-RAWB008006	N/A	US-RAWB008000	N/A

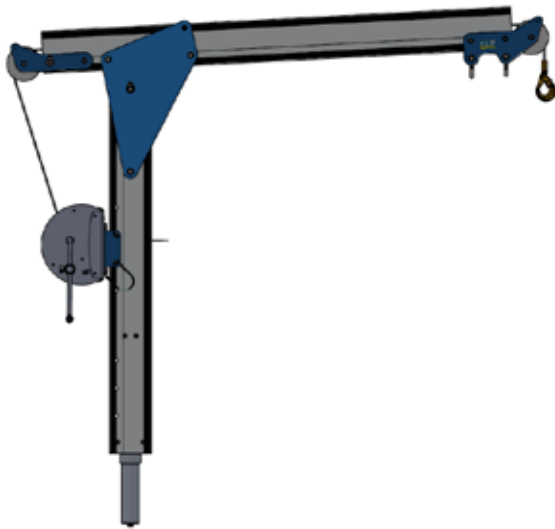
> TDAVIT[®]



Supported Personnel Winch		
Figure A	Supported Device	Product Code
	Guardian Checkmate	US-RAWB001200
	IKAR PLW	US-RAWB004200
	MSA Workman	US-RAWB008000
	3M SALA Winch	US-RAWB003000
	3M DBI SALA Digital Winch	US-RAWB003000
	Tuffbuilt Pro Series 1	US-RAWB009200
	Tuffbuilt Pro Series 2	US-RAWB009300

Supported SRL Device		
Figure B	Supported Device	Product Code
	Guardian FABXR	US-RAWB001000
	3M Rebel Protect A	US-RAWB003000
	3M SALA Sealed Block	US-RAWB003000
	3M Sala Ultra-Lok	US-RAWB003000
	Guardian 3-Way Rescue & Retrieval	US-RAWB007000
	Honeywell/Miller	US-RAWB007500
	MSA Rescuer	US-RAWB008000

TDAVIT® Winched



TDAVIT® Double Winched



➤ PORTA DAVIT QUANTUM® Single Winch



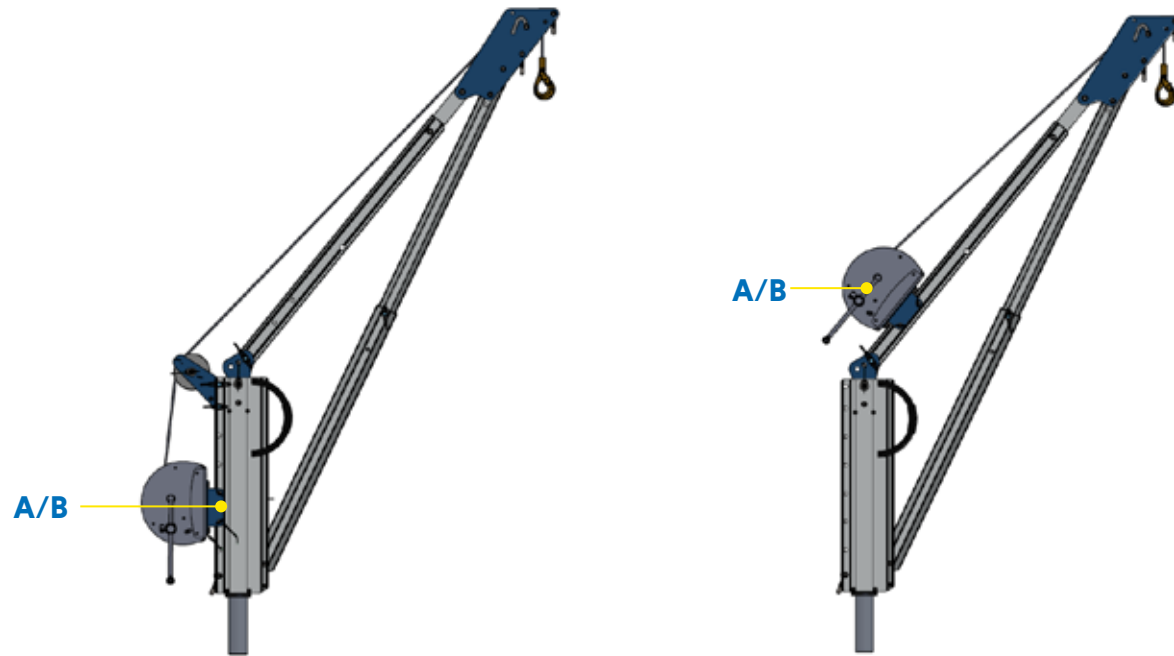
Supported Personnel Winch			
Figure A	Supported Device	Product Code - Column	Product Code - Backstay
	Guardian Checkmate	US-RAWB001200	US-RAWB001206
	IKAR PLW	US-RAWB004200	US-RAWB004206
	MSA Workman	US-RAWB008000	US-RAWB008006
	3M SALA Winch	US-RAWB003000	US-RAWB003003
	3M DBI SALA Digital Winch	US-RAWB003000	US-RAWB003003
	Tuffbuilt Pro Series 1	US-RAWB009200	US-RAWB009206
	Tuffbuilt Pro Series 2	US-RAWB009300	US-RAWB009306

Supported SRL Device			
Figure B	Supported Device	Product Code - Column	Product Code - Backstay
	Guardian FABXR	US-RAWB001000	US-RAWB001000
	3M Rebel Protect A	US-RAWB003000	US-RAWB003006
	3M SALA Sealed Block	US-RAWB003000	US-RAWB003006
	3M Sala Ultra-Lok	US-RAWB003000	US-RAWB003006
	Guardian 3-Way Rescue & Retrieval	US-RAWB007000	US-RAWB007000
	Honeywell/Miller	US-RAWB007500	US-RAWB007500
	MSA Rescuer	US-RAWB008000	US-RAWB008006

Winch-ready set up

The following parts are required for use when mounting any winch or SRL device onto the PORTADAVIT[®] QUANTUM[™] column.

Winch-Ready Attachments	
PDQ Sheave Bracket	US-RAWB000095



➤ PORTA DAVIT QUANTUM® Double Winch



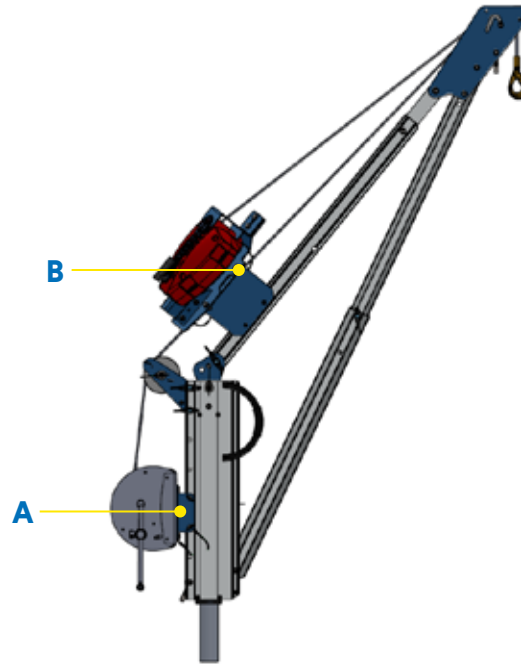
Supported Personnel Winch		
Figure A	Supported Device	Product Code - Column
	Guardian Checkmate	US-RAWB001200
	IKAR PLW	US-RAWB004200
	MSA Workman	US-RAWB008000
	3M SALA Winch	US-RAWB003000
	3M DBI SALA Digital Winch	US-RAWB003000
	Tuffbuilt Pro Series 1	US-RAWB009200
	Tuffbuilt Pro Series 2	US-RAWB009300

Supported SRL Device		
Figure B	Supported Device	Product Code - Backstay (Double Winch)
	Guardian FABXR	US-RAWB001010
	3M Rebel Protect A	US-RAWB003010
	3M SALA Sealed Block	US-RAWB003010
	3M Sala Ultra-Lok	US-RAWB003010
	Guardian 3-Way Rescue & Retrieval	US-RAWB007010
	Honeywell/Miller	US-RAWB007510

Winch-ready set up

The following parts are required for use when mounting any winch or SRL device onto the PORTA DAVIT^{QUANTUM} column.

Winch-Ready Attachments	
PDQ Sheave Bracket	US-RAWB000095



PORTX[®] DAVIT

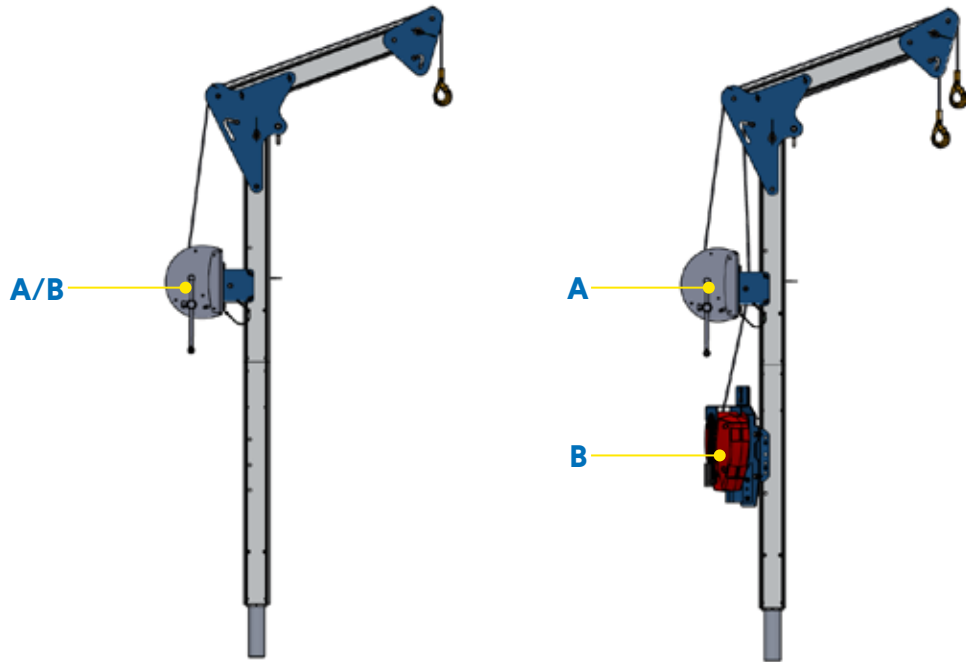


Supported Personnel Winch

Figure A	Supported Device	Product Code - Single Winch	Product Code - Double Winch
	Guardian Checkmate	US-RAWB001200	US-RAWB001209
	IKAR PLW	US-RAWB004200	US-RAWB004209
	MSA Workman	US-RAWB008000	N/A
	3M SALA Winch	US-RAWB003000	US-RAWB003009
	3M DBI SALA Digital Winch	US-RAWB003000	US-RAWB003009
	Tuffbuilt Pro Series 1	US-RAWB009200	N/A
	Tuffbuilt Pro Series 2	US-RAWB009300	N/A

Supported SRL Device

Figure B	Supported Device	Product Code
	Guardian FABXR	US-RAWB001000
	3M Rebel Protect A	US-RAWB003000
	3M SALA Sealed Block	US-RAWB003000
	3M Sala Ultra-Lok	US-RAWB003000
	Guardian 3-Way Rescue & Retrieval	US-RAWB007010
	Honeywell/Miller	US-RAWB007510
	MSA Rescuer	US-RAWB008000



Contact Us

REID Lifting Inc, USA

7900 International Drive,
Suite 300,
Bloomington,
MN 55425
USA

-  +1(888)-721-6411
-  info@reidlifting.com
-  us.reidlifting.com

All information herein is copyright protected by REID Lifting Ltd. All company and product names are Trade Mark and Trade Name protected and all REID Product IPR is protected under Patents, Patents Pending and/or Design Rights.

 Printed using environment friendly processes and materials.