



PORTX[®] DAVIT

This product is patented

REIDLIFTING.COM

Our lightweight and portable **PORTX™ DAVIT** has been designed and specified for fall protection applications including confined space access and egress, with the added benefit of goods lifting capability.

Very well suited to a wide range of industrial and construction safety applications, including shoring/trenching and confined space access. Fall protection devices are mounted on the rear of the column to avoid clashes with guardrails, walls or similar.

Key features

- › OSHA Compliant
- › Conforms with and tested as a complete safety system including brackets to ANSI Z359.18 2017
- › ATEX Zone 2 certification as standard
- › ATEX Zone 1 optional upgrade
- › Can support goods lifting up to 660lb and personnel lifting up to 330lb
- › 3-piece design for ease of transportation and storage and comes with a carry bag
- › Ability to locate two safety or lifting devices on the rear column of the davit, enabling primary and secondary safety or a combination of personnel and goods lifting
- › Variable bracket mounting positions for better ergonomics
- › Additional fall protection anchor on column for the winch operator
- › Comfortable rotation under load due to Reid's patented integral bearing system
- › Universal kingpin fits all Reid sockets and Portabases
- › Manufactured from marine grade alloy, anodised/powder coated for high corrosion resistance
- › Designed and built using quality engineering and production parts that help reduce weight and provide high strength to weight ratios.
- › Can be assembled and operated by one person with no tools required

Accessories

REID offer a range of winch and retrieval fall arrest connection brackets for the industries leading models, all tested and certified to ANSI Z359.18 2017 to provide our customers with complete system confidence. See more details on page 3.



**660LB
CAPACITY**



**1-2 PERSON
ASSEMBLY**



**CUSTOMISED
& BAGGED**



**ANSI Z359.18
2017 CERTIFIED**



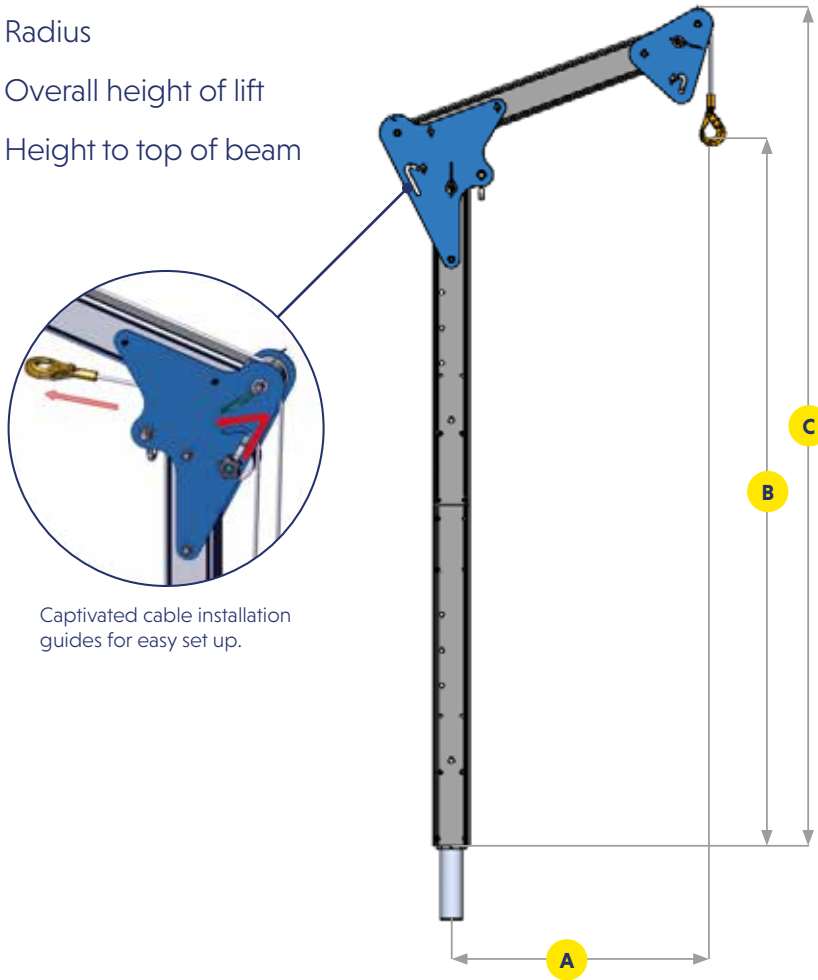
**ATEX
CERTIFIED**

Features & Performance

	78 ¾"	94 ½"	110 ¼"
Accreditations, Certifications & Standards			
ANSI Z359.18 2017	✓	✓	✓
ATEX Certified [Zone 2]	✓	✓	✓
ATEX Certified [Zone 1]	Optional	Optional	Optional
Capacity			
Maximum Goods Lifting [lb]	660	660	660
Maximum Personnel Lifting [lb]	330	330	330
Fall Arrest [Persons]	1	1	1
Dimensions			
Maximum Reach [in]	31 ½"	31 ½"	31 ½"
Maximum Height of Lift [in]	78 ¾"	94 ½"	110 ¼"
Socket Details			
Ø 2 ½"	✓	✓	✓
Top Mount	✓	✓	✓
Flush Mount	✓	✓	✓
Side Mount	✓	✓	✓
Bridge Mount	✓	✓	✓
Pedestal	✓	✓	✓
PortX Saddle Mount	✓	✓	✓
Porta Base	✓	✓	✓
Standard Features			
Winch Capable	✓	✓	✓
Component Weight < 33lb	✓	✓	✓
Finishes			
Anodised	✓	✓	✓
316SS Fixings	Optional	Optional	Optional
Marine Spec	Optional	Optional	Optional

PORTX® DAVIT

- A** Radius
- B** Overall height of lift
- C** Height to top of beam



› Winch & SRL Device Brackets

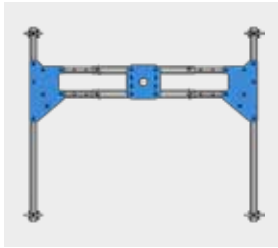
We offer a wide range of winch brackets for common goods and personnel winches as well as the equivalent for Safety Retrieval Lifeline Devices. The winch brackets can be attached to each Davit to support the application required. Operations & Assembly instructions can be found for each device on our website.

Personnel Winches		
Supported Device	Product Code (Single Winch)	Product Code (Double Winch)
Guardian Checkmate	US-RAWB001200	US-RAWB001209
IKAR PLW	US-RAWB004200	US-RAWB004209
MSA Workman	US-RAWB008000	N/A
3M SALA Winch	US-RAWB003000	US-RAWB003009
3M DBI SALA Digital Winch	US-RAWB003000	US-RAWB003009
Tuffbuilt Pro Series 1	US-RAWB009200	N/A
Tuffbuilt Pro Series 2	US-RAWB009300	N/A

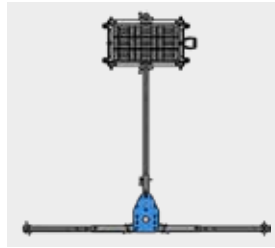
SRL Devices	
Supported Device	Product Code
Guardian FABXR	US-RAWB001000
3M Rebel Protect A	US-RAWB003000
SALA Sealed Block	US-RAWB003000
3M Sala Ultra-Lok	US-RAWB003000
Guardian 3-Way	US-RAWB007000
Honeywell/Miller	US-RAWB007000
MSA Rescuer	US-RAWB008000

Model	Max User Weight [lb]	Max goods weight [lb]	Dimensions [in]		
			A	B	C
US-PTXDR800-20	330	660	31 ½"	78 ¾"	93 ½"
US-PTXDR800-24	330	660	31 ½"	94 ½"	109"
US-PTXDR800-28	330	660	31 ½"	110 ¼"	125"

➤ Suitable for use with the following PORTABASE® Systems and sockets



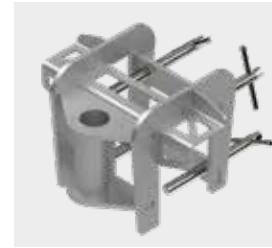
PORTABASE® H Base



PORTABASE® Counterbalance



PORTABASE® Trailer Hitch



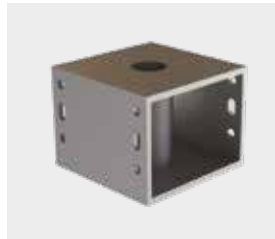
PORTX® Saddle Mount Socket



Top Mount Socket



Flush Mount Socket



Bridge Mount Socket



Side Mount Socket



Socket Pedestals

All information herein is copyright protected by REID Lifting Ltd. All company and product names are Trade Mark and Trade Name protected and all REID Product IPR is protected under Patents, Patents Pending and/or Design Rights.

 Printed using environment friendly processes and materials.

REID Lifting Inc
7900 International Drive,
Suite 300,
Bloomington,
MN 55425

➤ +1-(888)-721-6411
➤ info@reidlifting.com
➤ us.reidlifting.com