



 TDAVIT® TDVW

**Variable Winch Variant**

# ➤ Product Overview

Our **TDAVIT®- TDVW** is lightweight, portable and has been designed to meet customer needs where the lifting and moving of equipment in tight spaces is a challenge.

A truly unique product, it offers a lifting capacity of up to 660lb in combination with a geared trolley which is able to traverse the beam, in addition to 360 degree rotation under load.

It is very well suited to plant rooms, engine rooms and kiosks or anywhere where space is a premium and flexibility in moving loads is needed.

## Configurations

The **TDVW** is available in several standard configurations to meet with customers most common requirements. Custom solutions can be offered by request, subject to the working load limit requirements.

## Key features

- A range of 3 columns and 4 beam sizes to suit customer specific needs
- Variable beam length achieved with simple manual operation
- Beam can be secured during lift
- Easy beam adjustment whilst under load (28½" to 60¼" of movement)
- Rotation under load due to patented integral bearing system
- Universal kingpin fits all REID sockets
- Manufactured from marine grade alloy and anodized/powder coated for increased corrosion resistance
- Quality engineering and production parts reduce weight and provide high strength to weight ratios
- Two piece design to reduce manual handling concerns during transportation and assembly
- ATEX Zone 2 (explosive atmospheres) certification as standard
- ATEX Zone 1 (explosive atmospheres) as optional upgrade
- Can be assembled and operated by one person. No tools required

## Winches

The **TDVW** is compatible with a number of goods winches which are available to purchase directly from REID, or alternatively these can be purchased via our network of resellers operating in your area.

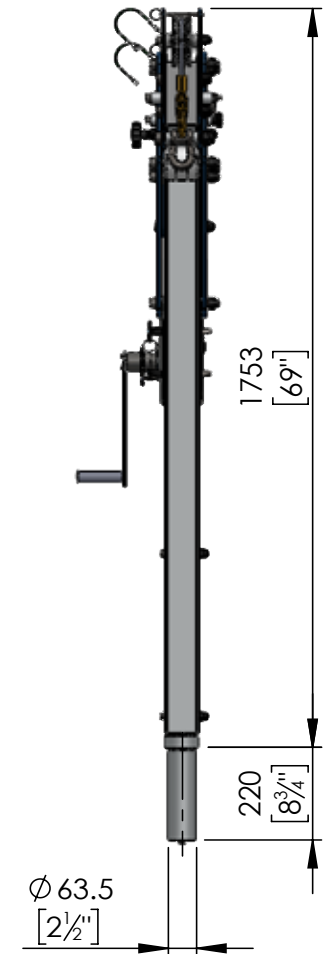
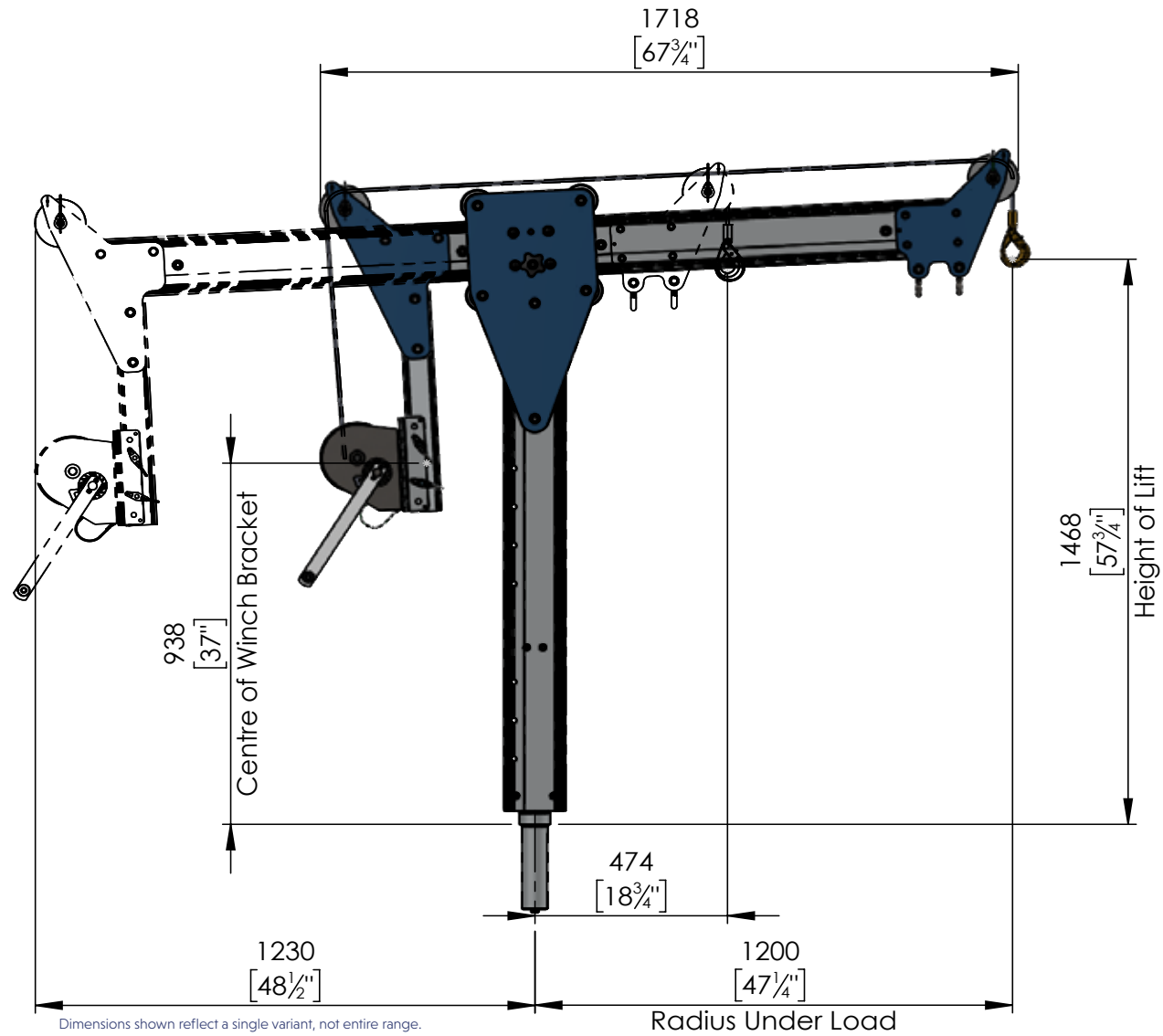
## Features & Performance

	1200	1500	1700	2000
<b>Accreditations, Certifications &amp; Standards</b>				
Directive 2006/42/EC	✓	✓	✓	✓
ATEX Certified [Zone 1]	Optional	Optional	Optional	Optional
<b>Capacity</b>				
Max Goods Lifting (lb)	660	660	330	330
<b>Dimensions</b>				
Maximum Reach (inches)	47¼	59¼	67	78¼
Maximum Height of Lift (inches)	82½	83	83½	84
<b>Socket Diameter</b>				
2"Ø	✓	✓	✓	✓
<b>Socket Options</b>				
Top Mount	✓	✓	✓	✓
Flush Mount	✓	✓	✓	✓
Side Mount	✓	✓	✓	✓
Bridge Mount	✓	✓	✓	✓
Pedestal	✓	✓	✓	✓
<b>Standard Features</b>				
Shackle Lifting points	✓	✓	✓	✓
<b>Finishes</b>				
Anodized	✓	✓	✓	✓
316SS Fixings	Optional	Optional	Optional	Optional
Marine Spec	Optional	Optional	Optional	Optional

Winch and bracket not included as standard



# ► Technical Information



Below is a list of standard **TDVW** variants, available from stock.

Custom sizes are available if required, subject to limitations.

For more information, please email our team at: [enquiries@reidlifting.com](mailto:enquiries@reidlifting.com)

## Part Numbers and Key Metrics

Part Number	Description	= effort to move beam under load	Max WLL (Capacity) lb	Overall Davit Height (from Top of Socket) inches	Max Height of Lift inches	Overall Beam Length inches	Max Radius inches	Min Radius inches	Range of Beam Travel inches	Clearance required for max beam travel inches
<b>US-TDVWA5047</b>	T-Davit Type VW Column 5 Radius 47" WLL660lb	55-66lb	660lb	93¼"	82½"	67¼"	47¼"	18¾"	28½"	95¾"
<b>US-TDVWA5059</b>	T-Davit Type VW Column 5 Radius 59" WLL660lb	55-66lb	660lb	94¼"	83"	78½"	59¼"	18¾"	40½"	118¾"
<b>US-TDVWA5067</b>	T-Davit Type VW Column 5 Radius 67" WLL330lb	44-55lb	330lb	94¼"	83½"	87"	67"	18¾"	48¼"	134¾"
<b>US-TDVWA5078</b>	T-Davit Type VW Column 5 Radius 78" WLL330lb	44-55lb	330lb	95¼"	84"	97¼"	78¼"	18¾"	60¼"	157¼"
<b>US-TDVWA4047</b>	T-Davit Type VW Column 4 Radius 47" WLL660lb	55-66lb	660lb	81½"	70¼"	67¼"	47¼"	18¾"	28½"	95¾"
<b>US-TDVWA4059</b>	T-Davit Type VW Column 4 Radius 59" WLL660lb	55-66lb	660lb	82"	70¼"	78½"	59¼"	18¾"	40½"	118¾"
<b>US-TDVWA4067</b>	T-Davit Type VW Column 4 Radius 67" WLL330lb	44-55lb	330lb	82½"	71¼"	78½"	67"	18¾"	48¼"	134¾"
<b>US-TDVWA4078</b>	T-Davit Type VW Column 4 Radius 78" WLL330lb	44-55lb	330lb	83"	71¼"	97¼"	78¼"	18¾"	60¼"	157¼"
<b>US-TDVWA3047</b>	T-Davit Type VW Column 3 Radius 47" WLL660lb	55-66lb	660lb	69"	57¼"	67½"	47¼"	18¾"	28½"	95¾"
<b>US-TDVWA3059</b>	T-Davit Type VW Column 3 Radius 59" WLL660lb	55-66lb	660lb	69½"	58¼"	78½"	59¼"	18¾"	40½"	118¾"
<b>US-TDVWA3067</b>	T-Davit Type VW Column 3 Radius 67" WLL330lb	44-55lb	330lb	70"	58¾"	87"	67"	18¾"	48¼"	134¾"
<b>US-TDVWA3078</b>	T-Davit Type VW Column 3 Radius 78" WLL330lb	44-55lb	330lb	70½"	59¼"	97¼"	78¼"	18¾"	60¼"	157¼"

Kingpin height - 821/32. Diameter 2½".

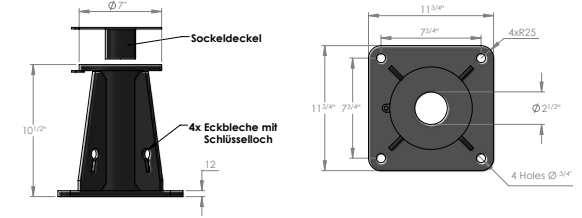
# > Sockets

## > Top Mount Socket



Product Code	Description	Material	Weight [lb]
STMG0500V2	Socket Top Mount 65 GMS	Galvanized Steel	29
STMS0500V2	Socket Top Mount 65 316SS	Stainless Steel	37
STMA0500	Socket Top Mount 65 Aluminum Natural Anodised	Aluminum	20

- > **Key features**
  - > Secured using 4nr. M16 anchors [not supplied]
  - > Suitable for resin fixing in concrete or through fixing in other substrates

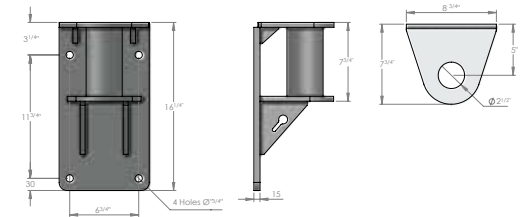


## > Side Mount Socket



Product Code	Description	Material	Weight [lb]
SSMG0500V2	Socket Side Mount 65 GMS	Galvanized Steel	29
SSMS0500V2	Socket Side Mount 65 316SS	Stainless Steel	37
SSMA0500	Socket Side Mount 65 Aluminum Natural Anodised	Aluminium	13

- > **Key features**
  - > Secured using 4nr. M16 anchors [not supplied]
  - > Suitable for mounting on the side of concrete or steel structures
  - > A brace plate can be supplied for thin-walled concrete

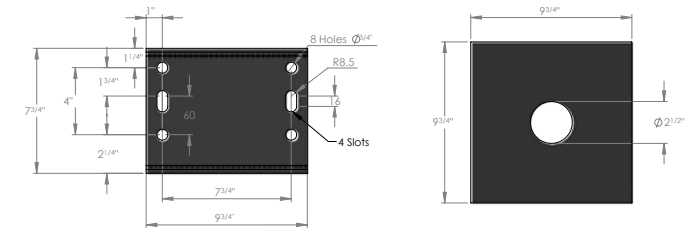


## > Bridge Mount Socket



Product Code	Description	Material	Weight [lb]
SBMG0500	Socket Bridge Mount 65 GMS	Galvanized Steel	42
SBMS0500	Socket Bridge Mount 65 316SS	Stainless Steel	42
SBMA0500	Socket Bridge Mount 65 Aluminum Natural Anodised	Aluminium	42

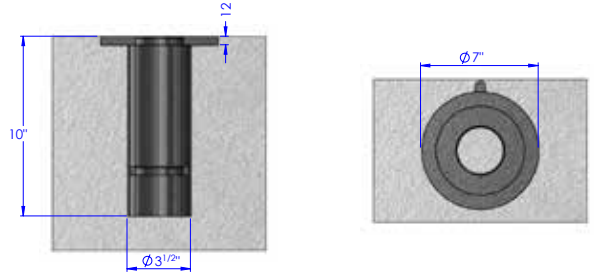
- > **Key features**
  - > Secured using 4nr. M16 anchors (not supplied)
  - > Suitable for bolting into steel structures
  - > Designed to fit open mesh grating or flush with structural steel work



> Flush Mount Socket



Product Code	Description	Material	Weight [kilb]
SFMG0500	Socket Flush Mount 65 GMS	Galvanized Steel	11
SFMS0500	Socket Flush Mount 65 316SS	Stainless Steel	9
SFRG0500	Socket Flush Mount Resin Bond 65 GMS	Galvanized Steel	11
SFRS0500	Socket Flush Mount Resin Bond 65 316SS	Stainless Steel	9

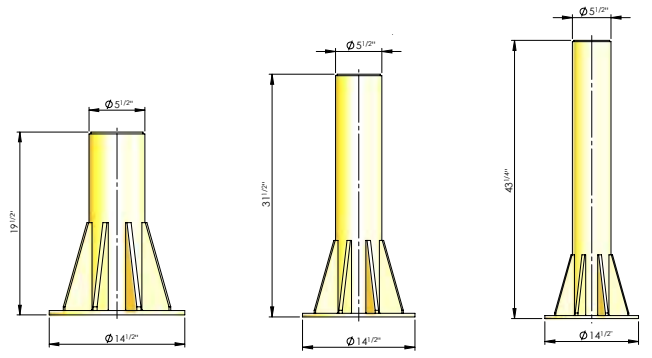


- > **Key features**
- > Suitable for resin fixing in concrete
  - > Complete with cover and re-bars, for casting into concrete

> Flush Pedestals



Product Code	Description	Material	Weight [lb]
SP0500-0500	Socket Pedestal 65 500mm	Aluminum	17
SP0500-0800	Socket Pedestal 65 800mm	Aluminum	19
SP0500-1100	Socket Pedestal 65 1100mm	Aluminum	19



- > **Key features**
- > Suitable for use with 65mm kingpin
  - > Secured using 4nr. M16 or M20 anchors [not supplied]


## **Contact Us**

### **REID Lifting**

7900 International Drive,  
Suite 300,  
Bloomington,  
MN 55425

-  +44 (0)1291 620 796
-  [info@reidlifting.com](mailto:info@reidlifting.com)
-  [us.reidlifting.com](http://us.reidlifting.com)

All information herein is copyright protected by REID Lifting Ltd. All company and product names are Trade Mark and Trade Name protected and all REID Product IPR is protected under Patents, Patents Pending and/or Design Rights.

 Printed using environment friendly processes and materials.